

# RVDT

Rotary Variable Differential Transformer  
TS7043N8000E18 | Size 08

## Description

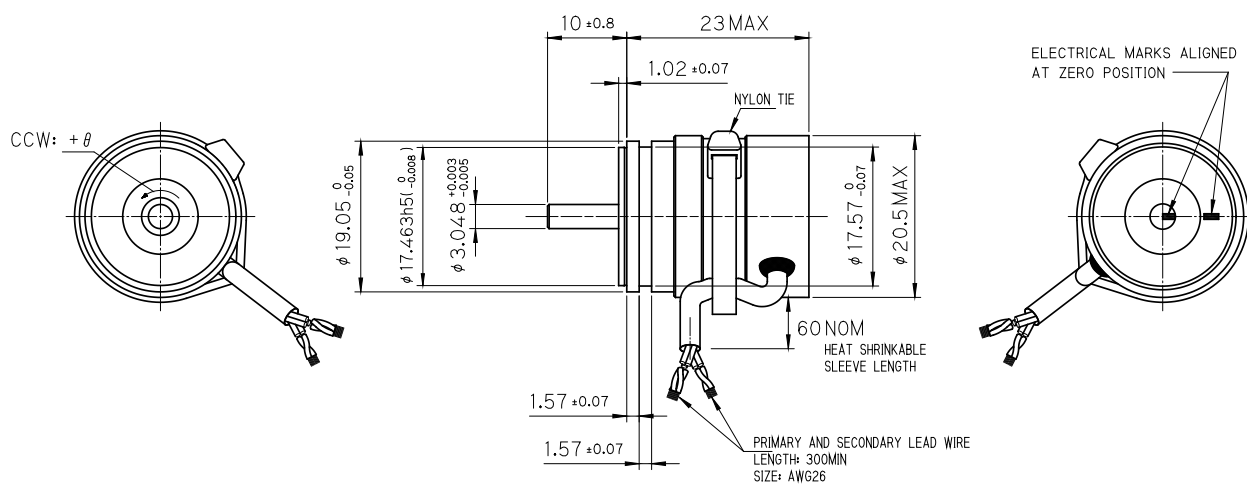
TAMAGAWA RVDT is an angular sensor provides linearly proportional voltages to the angular displacement with high reliability for vibration under extreme low/high temperature. Major features of this sensor are high reliability in harsh environment and long lifetime because of its simple non-contacting structure. Compare to other type of angular position sensor, this sensor is smaller and lighter. This RVDT is mainly used for Cockpit/Pilot control and Nose wheel steering systems. Size 08, 10 and 11 are available in TAMAGAWA's RVDT series. Not only the standard series, it is also possible to design to meet individual purpose and requirement for customers' system.



## Features

- Designed for commercial aircraft use
- Hole in straight shaft enables easy gear fixation
- Tamagawa original shielded wire with primary & secondary separated
- High Reliability - No coil inside the RVDT rotor

## Outline



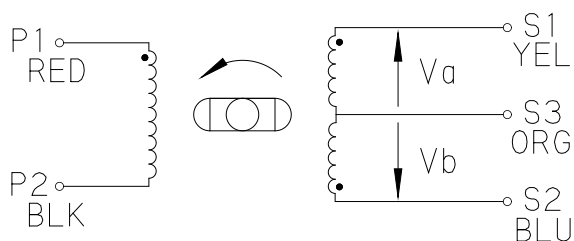
\*Dimensions are in mm

## Specifications

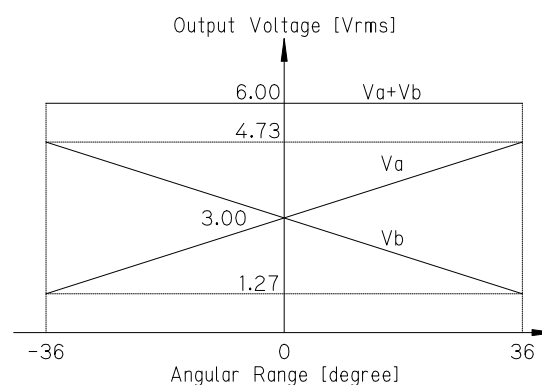
Angular Range	±36 deg.
Input Voltage	7.07 Vrms, 1800 Hz
Gain	0.01600 V/V/deg. (Ratiometric)
Secondary Sum Voltage	6.00 Vrms ±10 %
Accuracy	±0.36 deg. MAX
Input Current	20 mA MAX
Dielectric Strength	AC 500 Vrms, 60 s
Insulation Resistance	100 MΩ MIN, DC 500 V
Mass	50 g MAX
Temperature Range	-55 °C to +70 °C

## Schematic

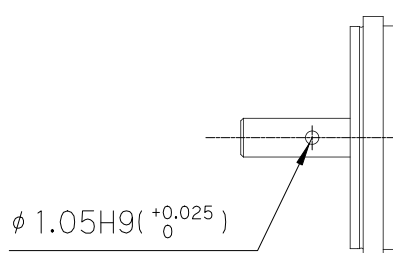
### Wiring Diagram



### Nominal Output Voltage



### Options - Hole in straight shaft



**Shaft Material: AMS5610**

### Production

- Automatic Winding
- Automatic Test Equipment

