

Resolver

Shaft Type, Brushless Resolver
TS530N81E30 | Size 11

Description

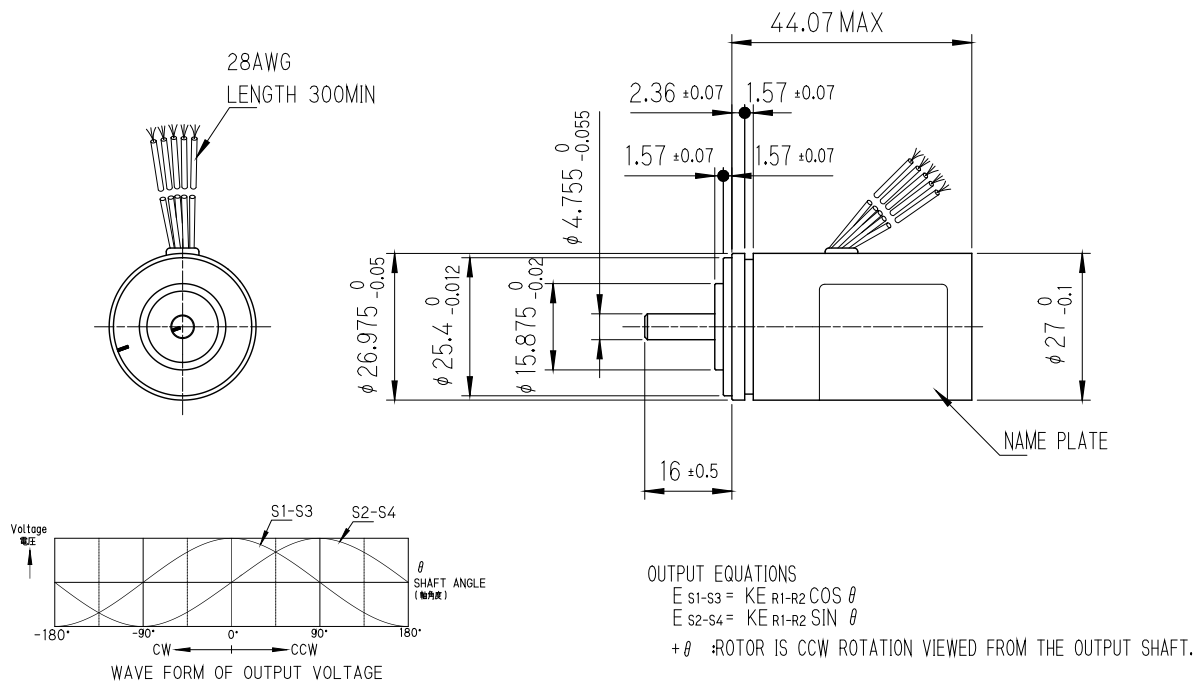
TAMAGAWA Brushless Resolver is a compact angular position sensor and designed for MIL standard. Single resolver with shaft & integrated ball bearing is the standard and realize high accuracy and resolution. This typical aviation angular position sensor is used for wide variety of applications. Size 08 and larger sizes are available.



Features

- Brushless configuration enables High Reliability
- Decades of experiences in the field of Aircraft application
- Small size & Lightweight
- Provide cost effective approach
- Custom designs available

Outline



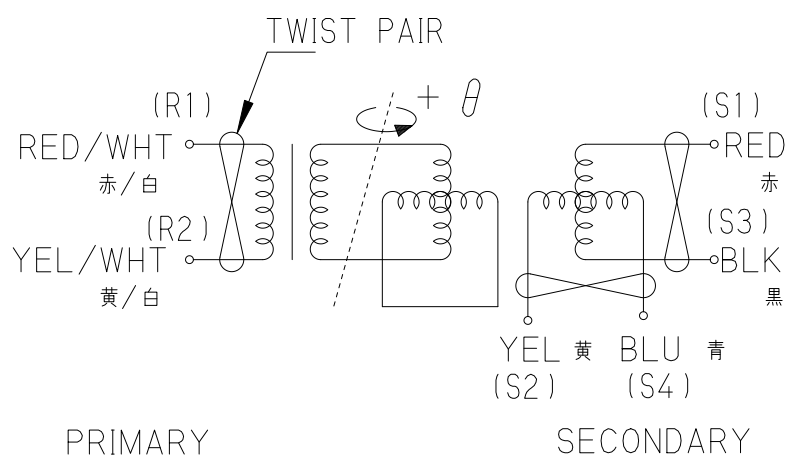
*Dimensions are in mm

Specifications

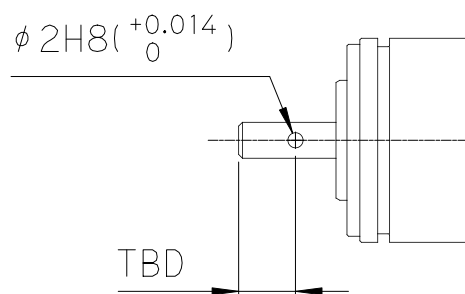
Function	1X-BRX, Size 11
Input Voltage	7.07 Vrms, 3000 Hz
Transformation Ratio	0.5 ±5 %
Electrical Error	±7 minutes MAX
Input Current	4 mA MAX
Dielectric Strength	AC 600 Vrms, 60 s
Insulation Resistance	100 MΩ MIN, DC 500 V
Mass	150 g MAX
Temperature Range	-15 °C to +70 °C
Housing and Shaft Material	Stainless Steel

Schematic

Wiring Diagram



Options - Shaft Hole



Production

- Automatic Winding for Rotor
- Automatic Test Equipment



Resolver

Shaft Type, Brushless Resolver
TS2369N8000E33 | Size 08

Description

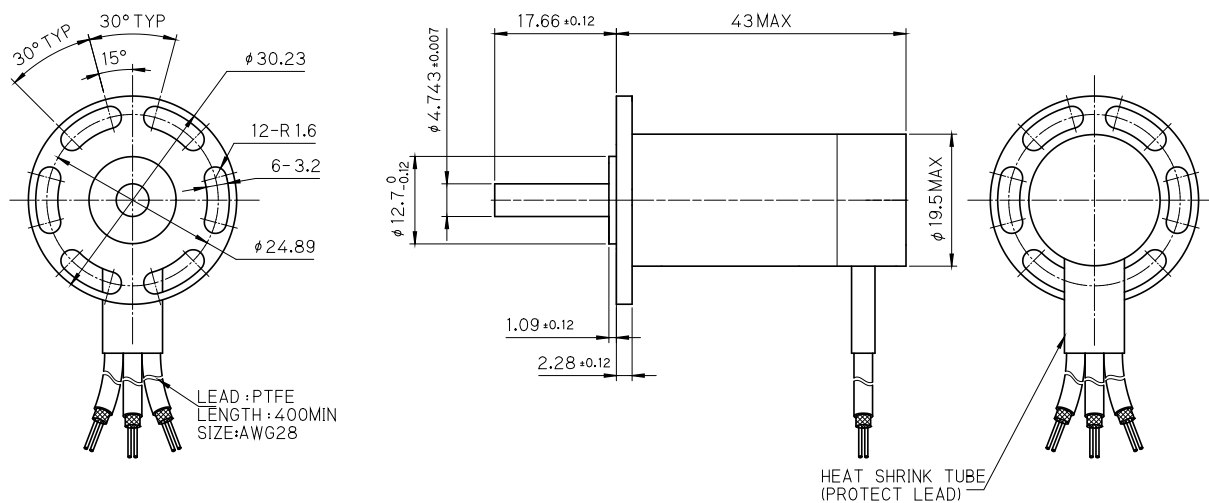
TAMAGAWA Brushless Resolver is a compact angular position sensor and designed for MIL standard. Single resolver with shaft & integrated ball bearing is the standard and realize high accuracy and resolution. This typical aviation angular position sensor is used for wide variety of applications. Size 08 and larger sizes are available.

Features

- Brushless configuration enables High Reliability
- Decades of experiences in the field of Aircraft application
- Small size & Lightweight
- Provide cost effective approach
- Custom designs available



Outline



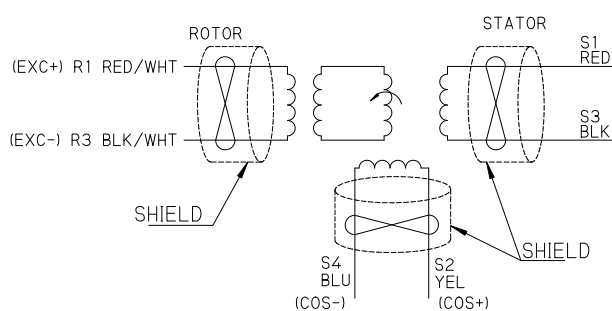
*Dimensions are in mm

Specifications

Function	1X-BRX, Size 08
Input Voltage	7 Vrms, 3000 Hz
Transformation Ratio	0.5 ±0.018 %
Electrical Error	±10 minutes MAX
Input Current	7 mA MAX
Dielectric Strength	AC 750 Vrms, 60 s
Insulation Resistance	100 MΩ MIN, DC 500 V
Mass	100 g MAX
Temperature Range	-55 °C to +70 °C
Housing and Shaft Material	Stainless Steel

Schematic

Wiring Diagram

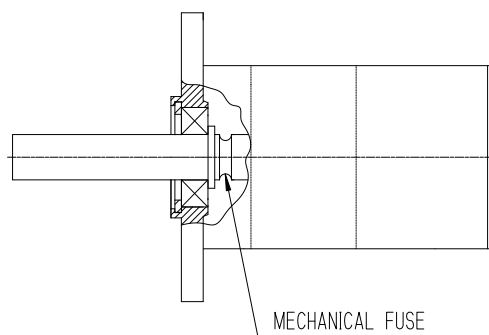


Production

- Automatic Test Equipment



Options - Mechanical fuse



Options - Flange housing

