

NEW COMPACT INERTIAL SENSOR TAG 295



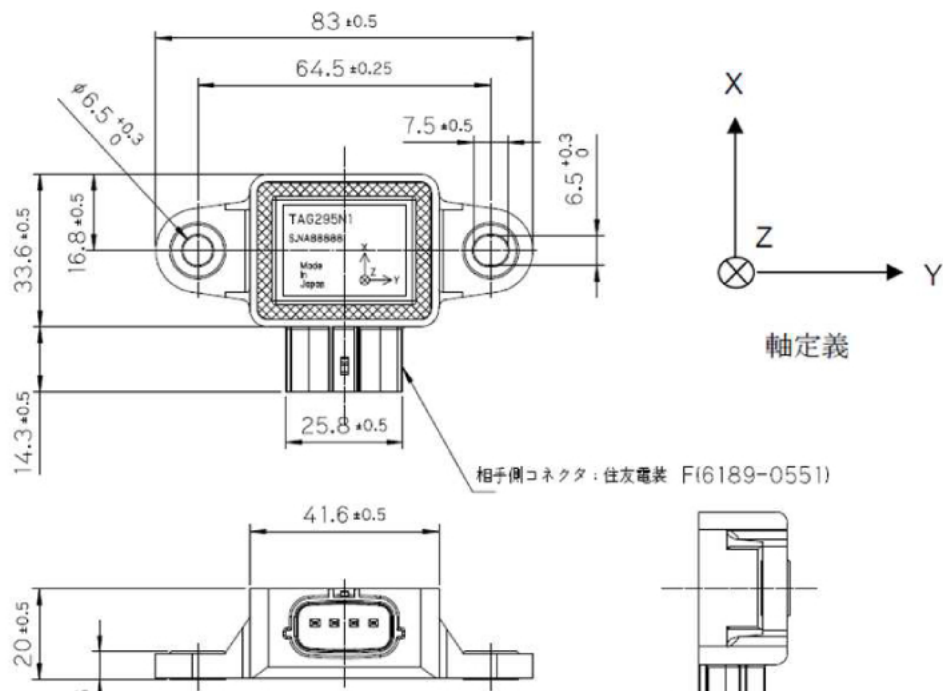
Specifications Overview

Item	Description	TAG295
Chassis	Protective structure	IP65 (dust-proof/water-proof)
Technical data	Operating temperature range	-30°C~+80°C
	Power supply	+12VDC (+8VDC~ +16VDC)
	Power consumption	1W max
	Output type	CAN standards + extensions
	Output period	1000Hz max
	Output information	Three angular velocities axes and three acceleration axes Roll angle, pitch angle, yaw angle
	Angular velocity range	+/- 200deg/s
Price Difference	Acceleration range	+/- 4G
	1 pc (sample)	Approx. 30% DOWN
	1,000 pcs (series production)	Approx. 60% DOWN

Function

item	TAG295
Vehicle speed input	CAN
Protection circuit of power supply	O
CANID modification function	O
Extended CAN support	O
Initial orientation alignment function	O
Shaft definition change function	O
Offset cancel Function	O
Azimuth reset function	O
Leveling constant change function	O

Outline drawing



Pin No.	Signal Name	Remarks
1	Power supply	+8V □16V
2	CAN Hi	
3	CAN Lo	
4	GND	

REVISIONS			
No.	DESCRIPTION (For the info.)	DATE	SIGN.

Mating connector :
Sumitomo Denso F (6189-0551)

Definition of shaft

Part Number
Serial Number
TAG295N1
S.NA888888
Made in Japan

Definition of shaft

Marking contents

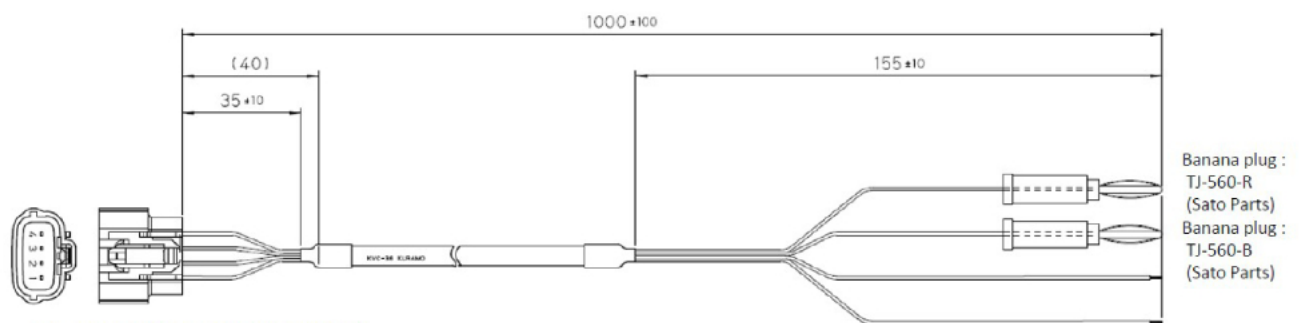
Prepared	T. OKUDA	DATE	2022/01/24	MODEL NO.	TAG295N1	TITLE	MEMS IMU外形図
Reviewed	S. WIZUKAWA	SCALE	1:1	PART NO.			
Approved	T. IMAMURA			DRG NO.	3 4 5 6 7 8 9 10 11 12		SHEET

O T D O 1 4 0 7 1 W 0 0

JIS A31297X420) A B TAMAGAWA SEIKI CO.,LTD.

TAG295 evaluation cable (optionally sold)

Part Number : EU_8974N0001



Housing : 6189-0551 (Sumitomo Denso)
 Wire-seal : 7165-0547 (Sumitomo Denso)
 Terminal : 8100-1466 (Sumitomo Denso)

